

VERSATILE
FENCE



V2-SERIES

Strong . Attractive . Flexible . Durable
Easy to Install . Cost Effective



YUNG KONG VERSATILE FENCE SDN BHD

197401002499 (19842-P)

Lot 1144, Jalan Kemajuan, Pending Industrial Estate,
93450 Kuching Sarawak, Malaysia.

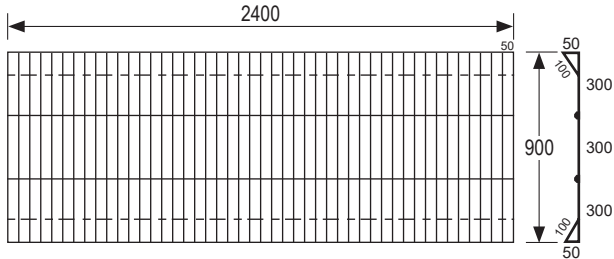
Tel
Fax
Website

8 082-484327
8 082-937177
8 www.ykmwgroup.my



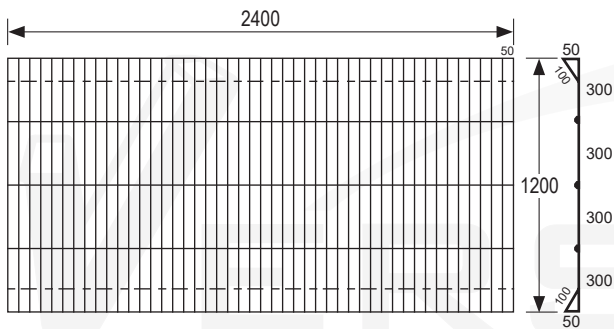


PRODUCT SPECIFICATION SHEET (V2-SERIES)



WIRE DIAMETER(mm)	5
HEIGHT(mm)	900
WIDTH(mm)	2400
SPACING(mm)	50x300
COATING	HEAVY G.I.

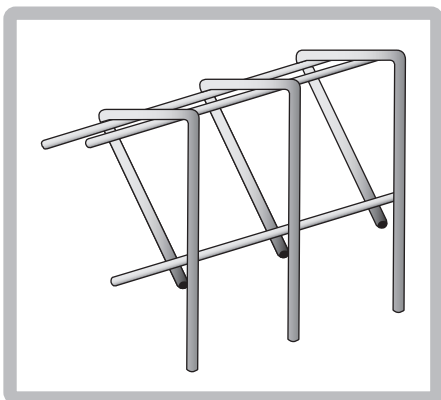
*Refer to Note (b)



WIRE DIAMETER(mm)	5
HEIGHT(mm)	1200
WIDTH(mm)	2400
SPACING(mm)	50x300
COATING	HEAVY G.I.

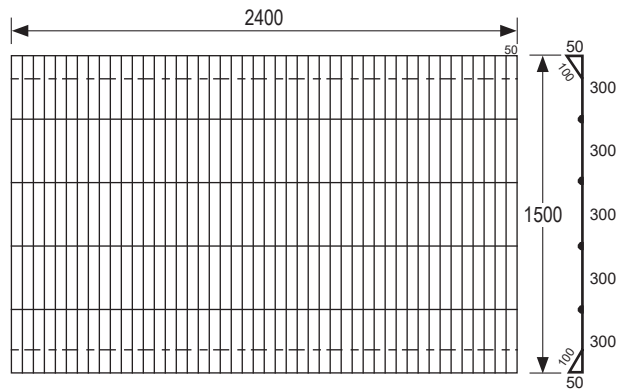
NOTE:

1. Minimum zinc coating 245g/m²

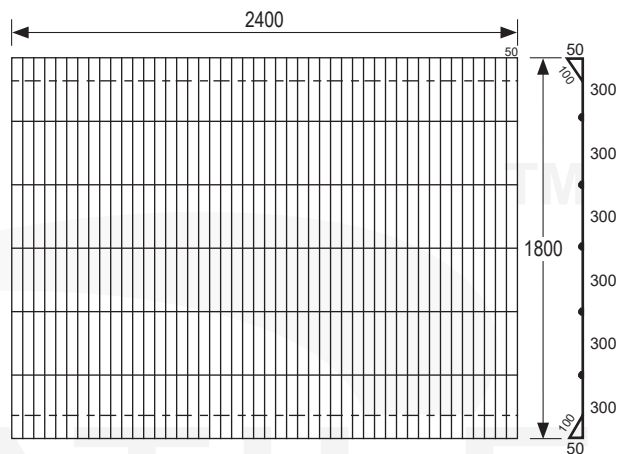


NOTE:

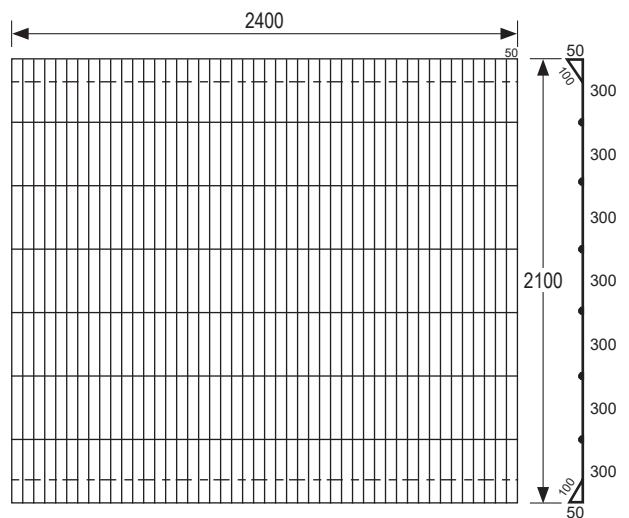
(a) Versatile Fence is produced and warranted by Yung Kong Versatile Fence Sdn Bhd, which is free from defects in materials, for a period of 5 years from the date of delivery, subject to terms and conditions.
 (b) 0.9mm height of fence is a non-stock item, only acceptable for project enquiry with a minimum order quantity of 100 pieces.



WIRE DIAMETER(mm)	5
HEIGHT(mm)	1500
WIDTH(mm)	2400
SPACING(mm)	50x300
COATING	HEAVY G.I.



WIRE DIAMETER(mm)	5
HEIGHT(mm)	1800
WIDTH(mm)	2400
SPACING(mm)	50x300
COATING	HEAVY G.I.



WIRE DIAMETER(mm)	5
HEIGHT(mm)	2100
WIDTH(mm)	2400
SPACING(mm)	50x300
COATING	HEAVY G.I.