



# V-SERIES

Strong . Attractive . Flexible . Durable  
Easy to Install . Cost Effective



## YUNG KONG VERSATILE FENCE SDN BHD

197401002499 (19842-P)

Lot 1144, Jalan Kemajuan, Pending Industrial Estate,  
93450 Kuching Sarawak, Malaysia.

Tel  
Fax  
Website

8 082-484327  
8 082-937177  
8 [www.ykmggroup.my](http://www.ykmggroup.my)

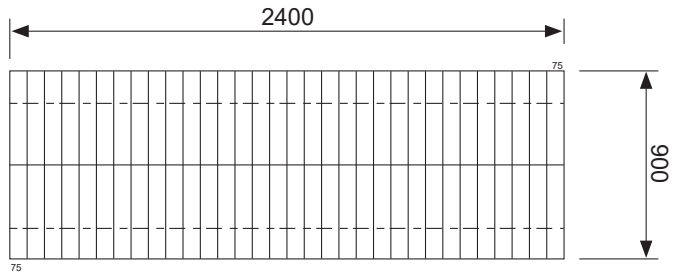
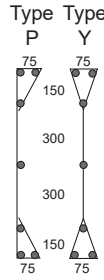
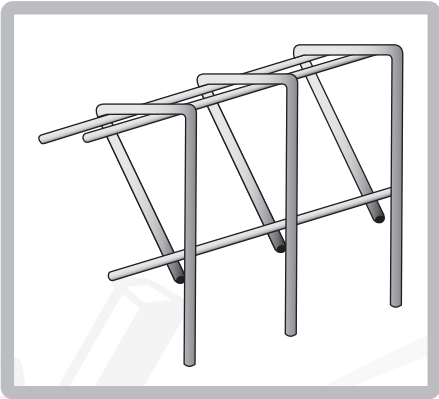




# PRODUCT SPECIFICATION SHEET (V-SERIES)

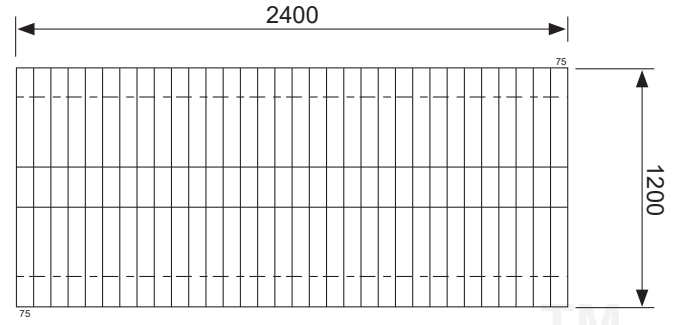
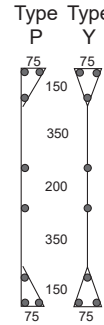
**NOTE:**

1. Minimum zinc coating 245g/m<sup>2</sup>

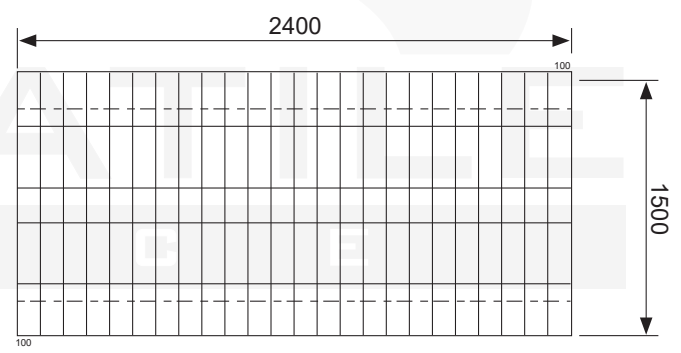
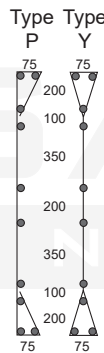


WIRE DIAMETER (mm)	6	
HEIGHT (mm)	900	
WIDTH (mm)	2400	
SPACING (mm)	75	100
COATING	HEAVY G.I.	

\*Refer to Note (b)



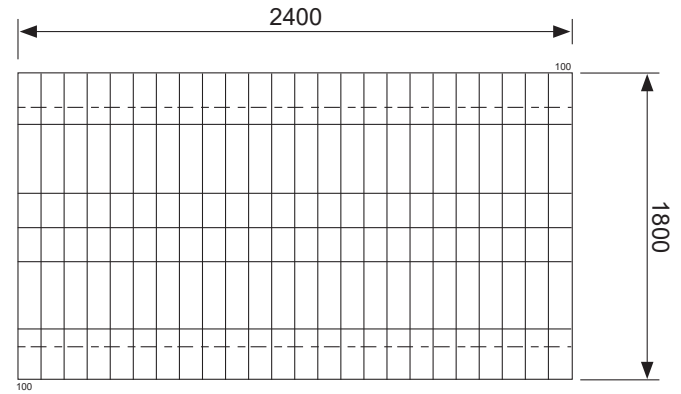
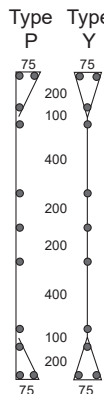
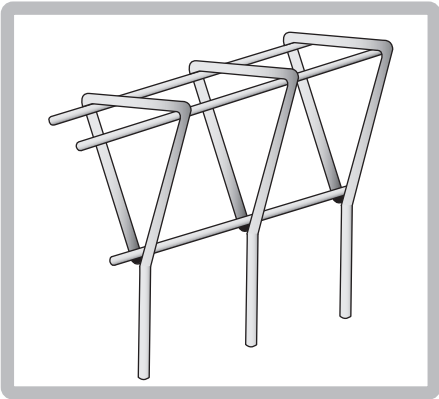
WIRE DIAMETER (mm)	6	
HEIGHT (mm)	1200	
WIDTH (mm)	2400	
SPACING (mm)	75	100
COATING	HEAVY G.I.	



WIRE DIAMETER (mm)	6	
HEIGHT (mm)	1500	
WIDTH (mm)	2400	
SPACING (mm)	75	100
COATING	HEAVY G.I.	

**NOTE:**

1. Minimum zinc coating 245g/m<sup>2</sup>



WIRE DIAMETER (mm)	6	
HEIGHT (mm)	1800	
WIDTH (mm)	2400	
SPACING (mm)	75	100
COATING	HEAVY G.I.	

**NOTE:**

(a) Versatile Fence is produced and warranted by Yung Kong Versatile Fence Sdn Bhd, which is free from defects in materials, for a period of 5 years from the date of delivery, subject to terms and conditions.

(b) 0.9mm height of fence is a non-stock item, only acceptable for project enquiry with a minimum order quantity of 100 pieces.