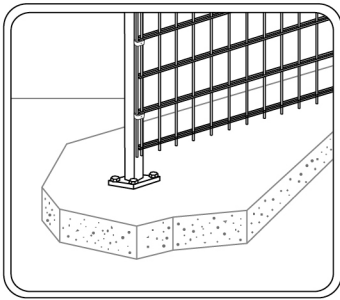
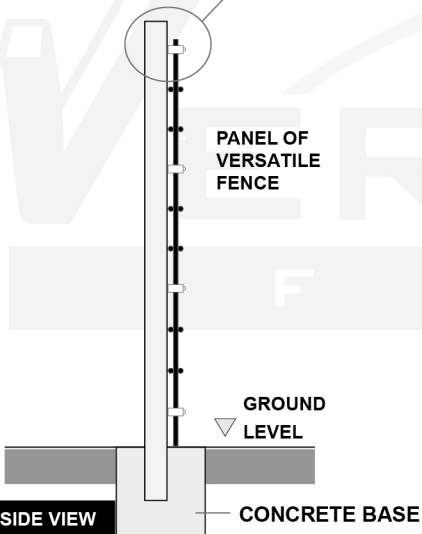


EMBEDDED POST



PLATED POST

DETAIL 'A'

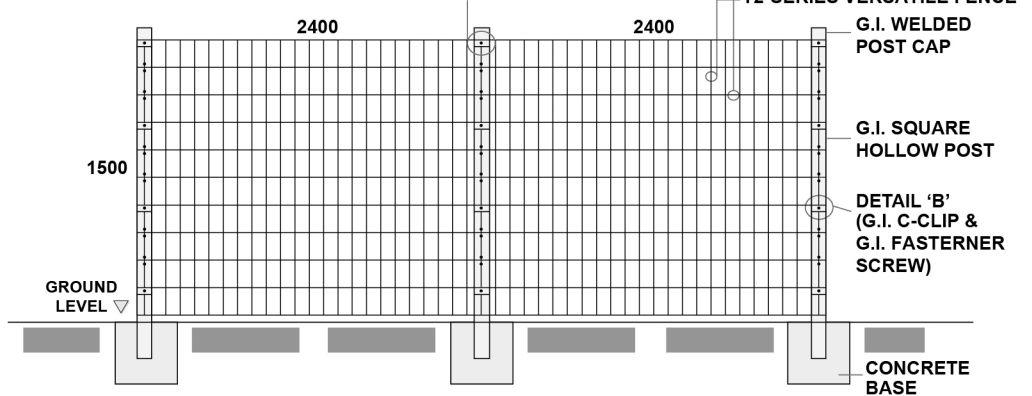


SIDE VIEW

GROUND LEVEL

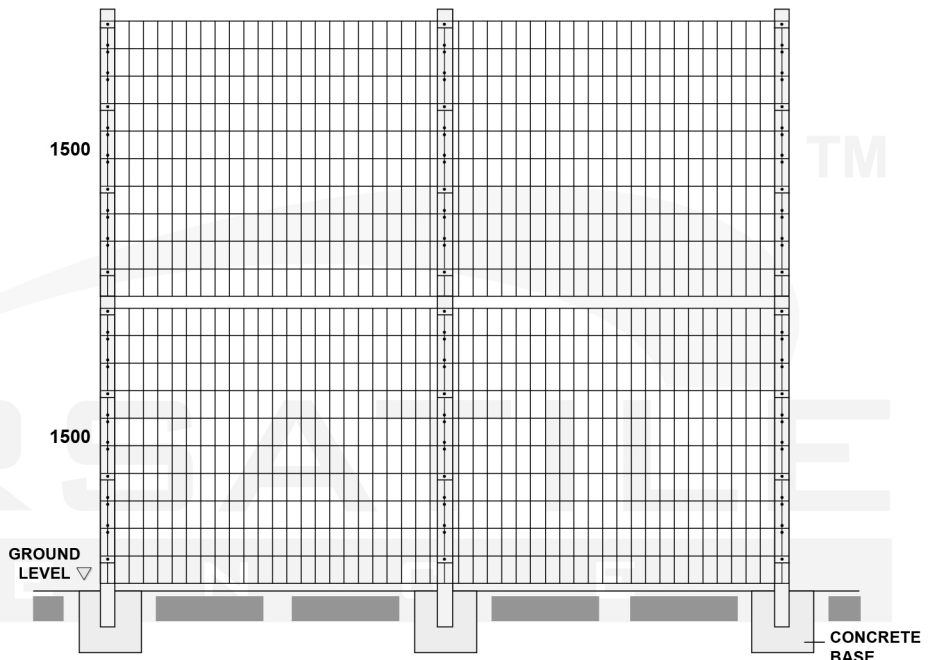
CONCRETE BASE

DETAIL 'C' (G.I. C-CLIP & STAINLESS STEEL / G.I. FASTENER)

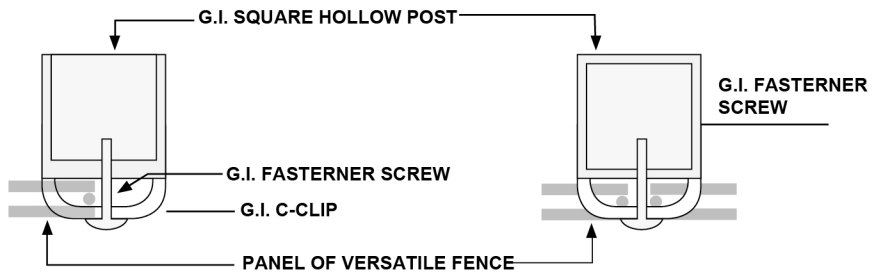


FRONT VIEW

MULTI PANEL SYSTEM



FRONT VIEW

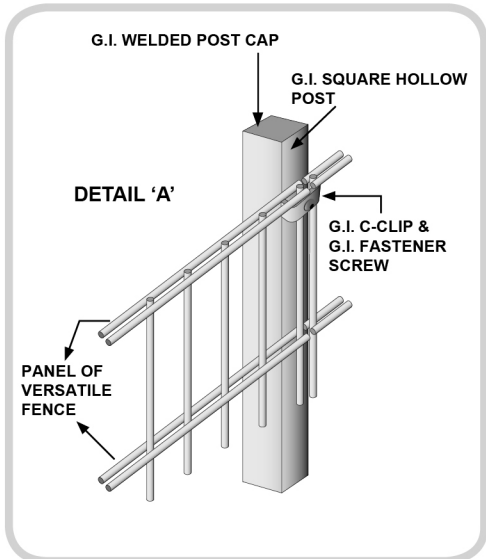


END POST

DETAIL 'B'

INTERMEDIATE POST

DETAIL 'C'



DETAIL 'A'

REMARK:

The diagram beside shows a typical assembly on a G.I. square hollow post fastened together with a pair of G.I. fastener screw.

Different installation methods can also be based on architect design.

It is advisable to install the post and versatile fence at the same time to avoid potential problem of screw fastening issue at later stage.