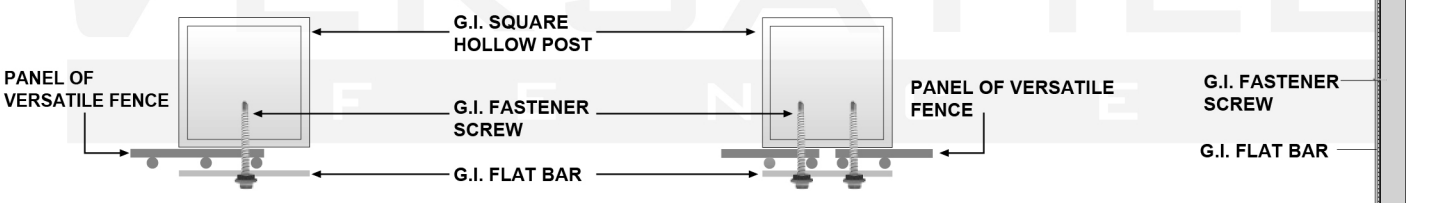
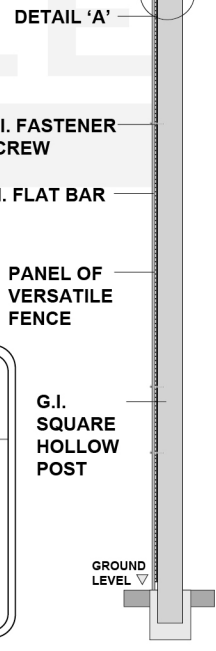


FRONT VIEW

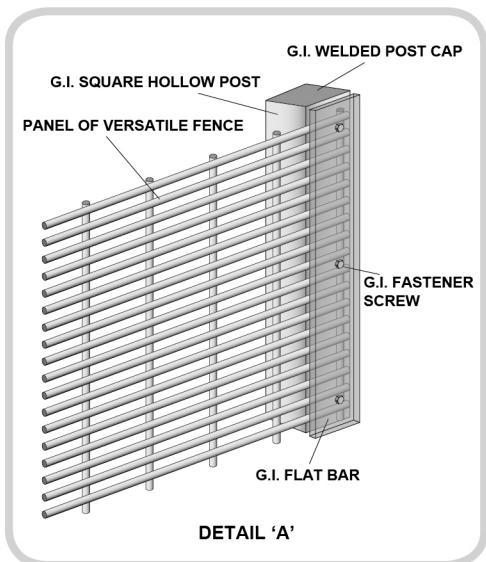


**END POST
DETAIL 'B'**

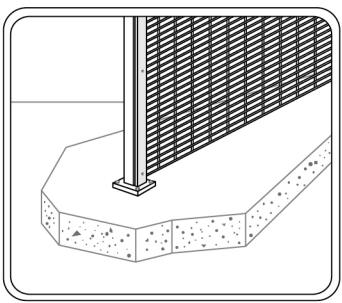
**INTERMEDIATE POST
DETAIL 'C'**



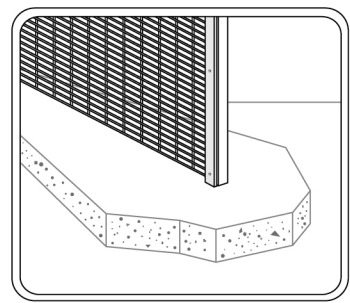
SIDE VIEW



DETAIL 'A'



Plated Post



Embedded Post

REMARK:
The diagram beside shows a typical assembly on a G.I. square hollow post fastened together with a pair of G.I. fastener screw.

Different installation methods can also be based on architect design.

It is advisable to install the post and versatile fence at the same time to avoid potential problem of screw fastening issue at later stage.