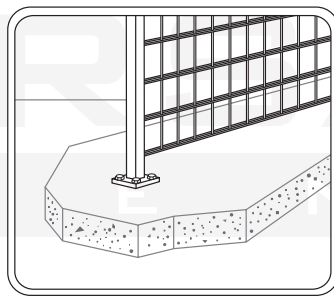
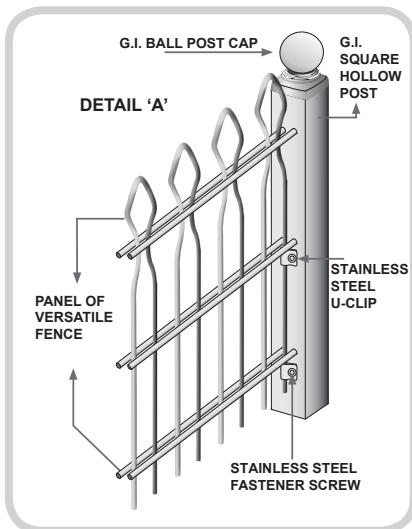
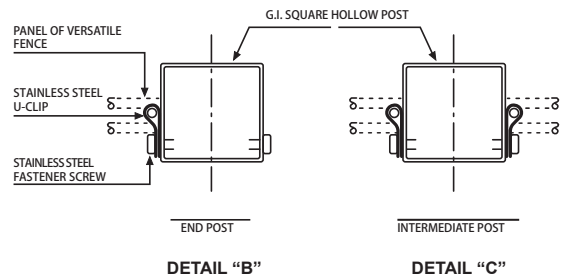
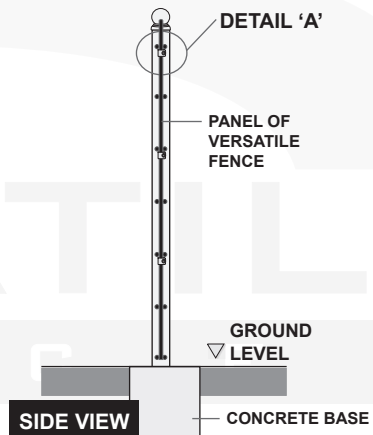


EMBEDDED POST



PLATED POST



REMARK:

The diagram beside shows a typical assembly on a G.I. square hollow post fastened together with a pair of stainless steel fastener screw.

Different installation methods can also be based on architect design.

It is advisable to install the pole and versatile fence at the same time to avoid potential problem of screw fastening issue at later stage.